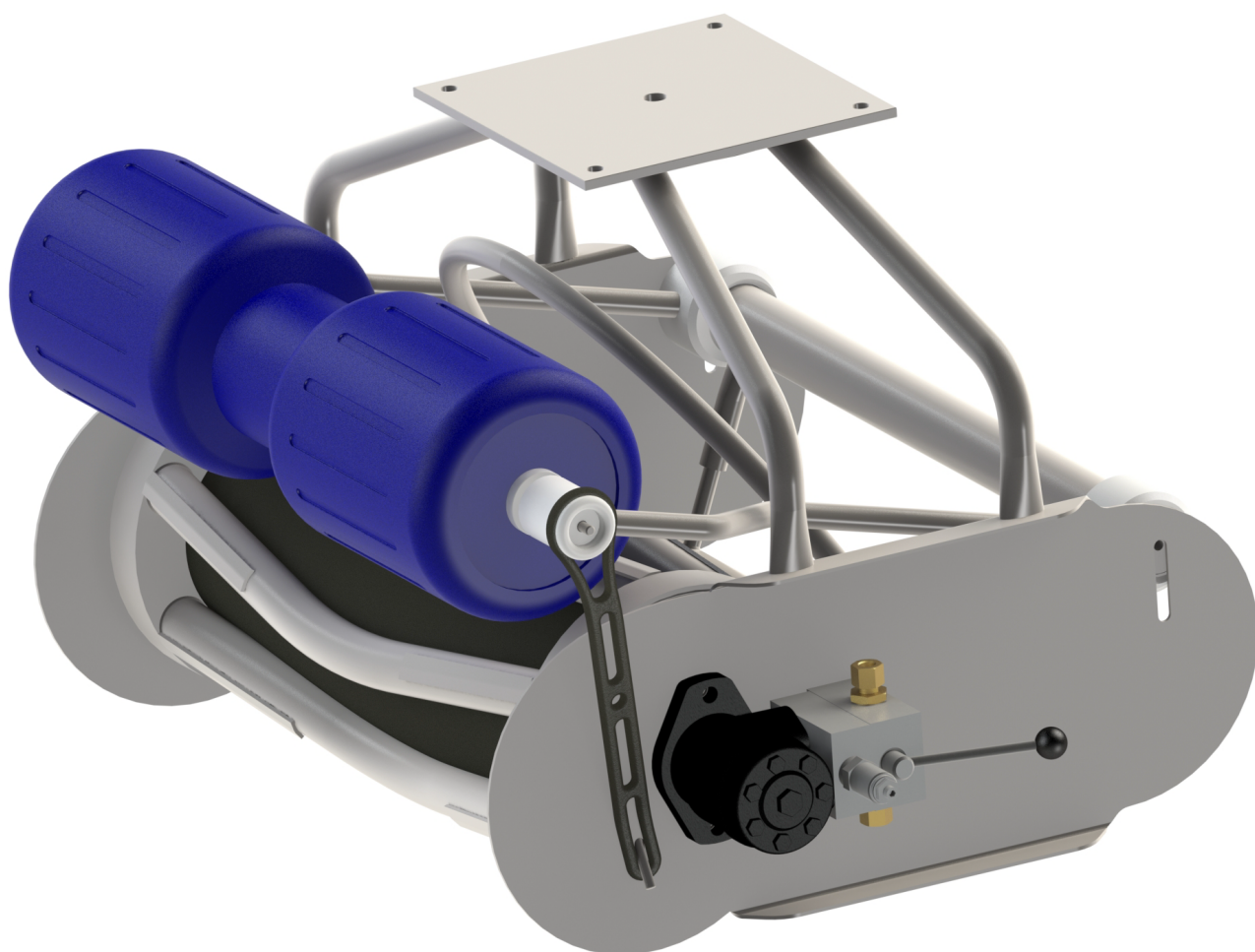
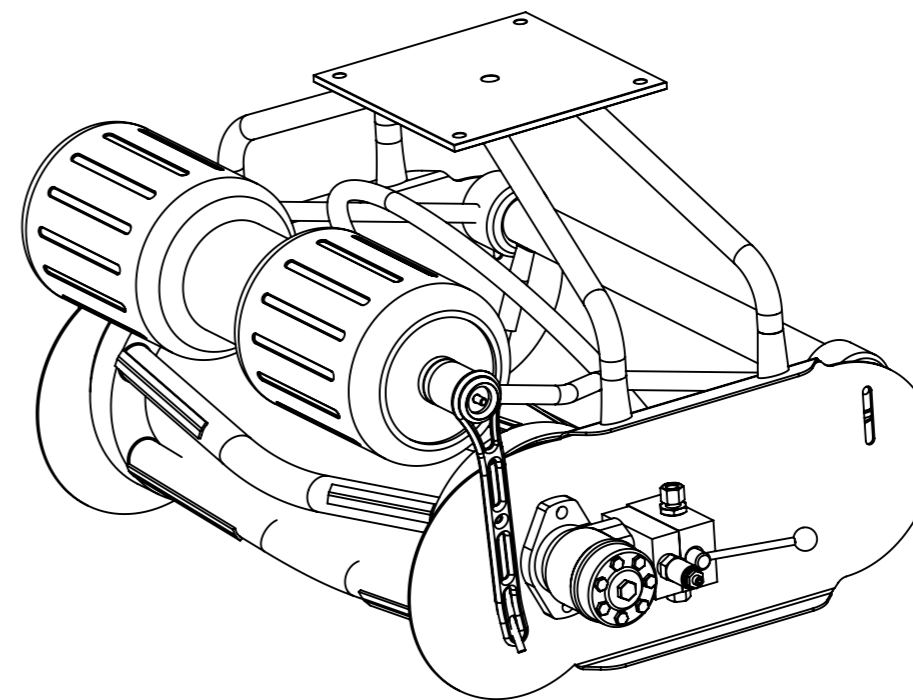
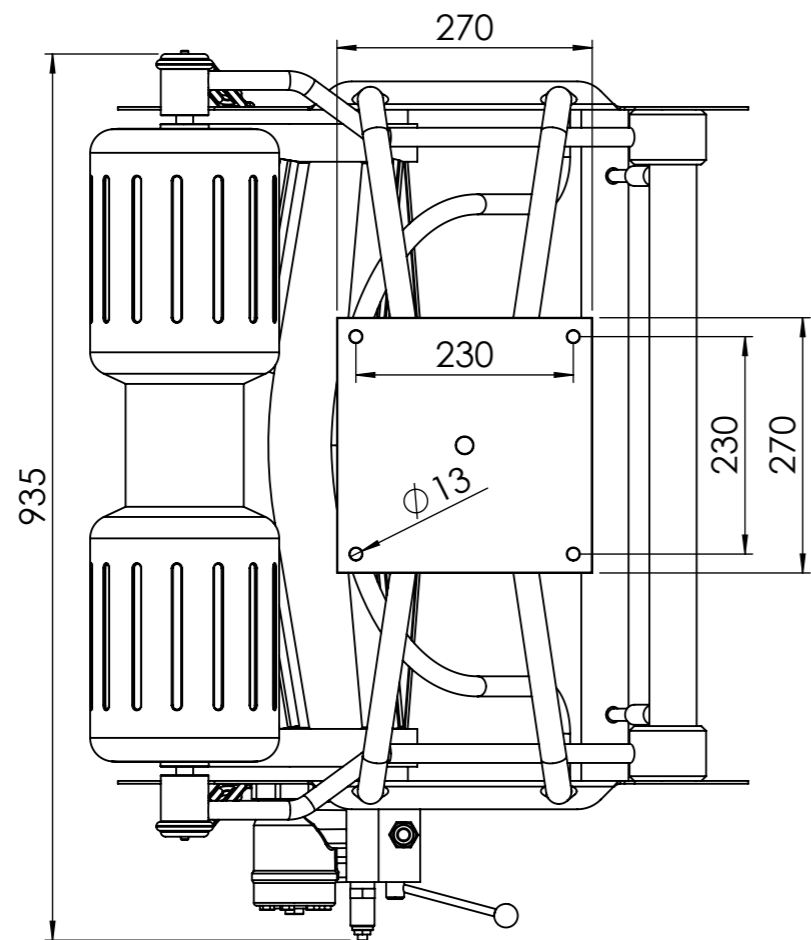
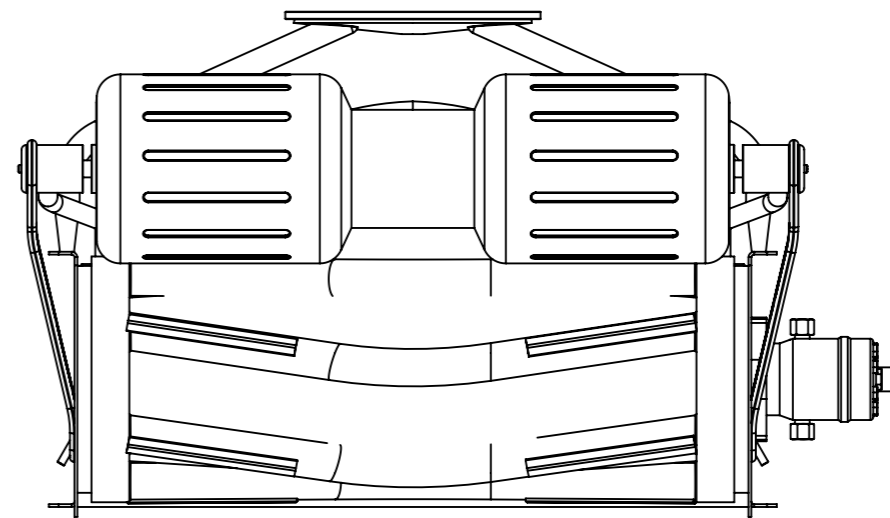
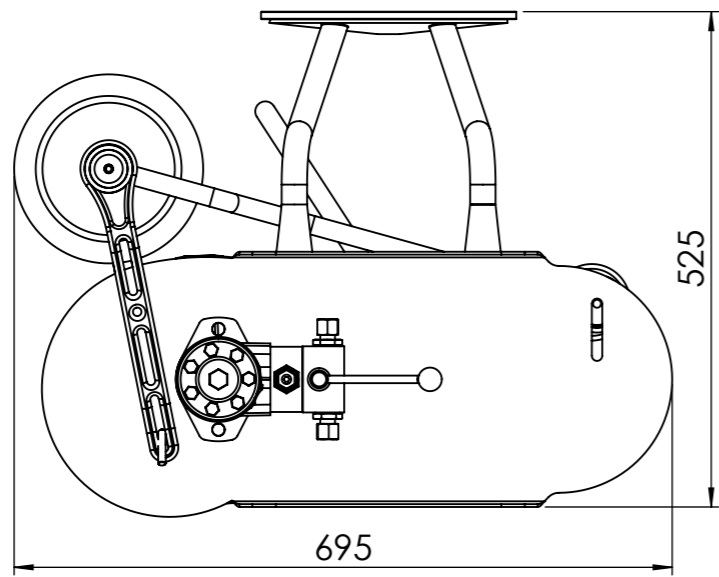


ÖSTBORNHOLMS KUTTERSERVICE

Garnklarar / Net clearer TYPE 3





PROPRIETARY AND CONFIDENTIAL
 THE INFORMATION CONTAINED IN THIS
 DRAWING IS THE SOLE PROPERTY OF
 ØSTBORNHOLMS KUTTERSERVICE. ANY REPRODUCTION IN
 PART OR AS A WHOLE WITHOUT THE
 WRITTEN PERMISSION OF ØSTBORNHOLMS KUTTERSERVICE
 IS PROHIBITED.

UNLESS OTHERWISE SPECIFIED:
 DIMENSIONS ARE IN MILLIMETERS
 SURFACE FINISH:
 TOLERANCES:
 LINEAR:
 ANGULAR:

**ØSTBORNHOLMS
 KUTTERSERVICE**

Værftsvej 1
 3730 Nexø, Denmark
 Phone +45 5649 6582

NAME	DATE	TITLE:
DRAWN J. Kjøller	27-04-2001	Garnklarer Type 3 / Net clearer Type 3
CHK'D		

Note:

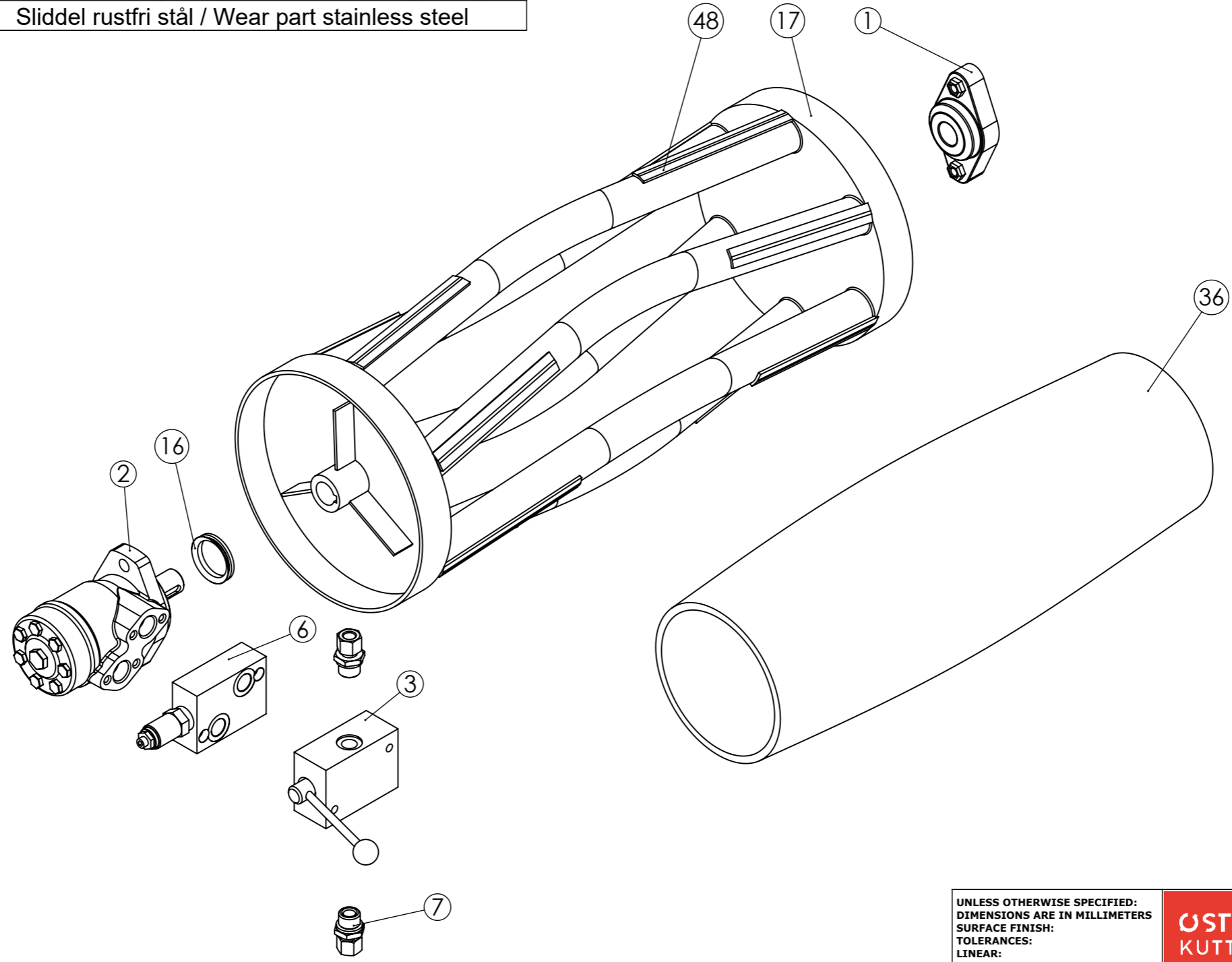
MATERIAL:	SCALE:	DWG NO.
	1:8	EK01_0360_B

DEBUR AND BREAK SHARP EDGES

Revision nr.:EK01_0360_B B Revision date: 13-09-2021

A3

Pos. No.	Qty.	Part No.	Beskrivelse / Description
1	1	Marbett 25x100	Leje / Bearing
2	1	OMP80_25	Hydraulikmotor / Hydraulic motor
3	1	HSV_1	Retningsventil / Directional valve
6	1	IC_A6A_OMP3	Chok ventil / Dual shock valve
7	2	GA12LR	Hydraulik forskrunding lige / Hydraulic fitting straight
16	1	VA0040	V Ring
17	1	EK01_0501	Rustfri rulle type 1_3 / Stainless steel roller type 1_3
36	1	EK01_0510	Gummi indsats type 1_3 / Rubber insert type 1_3
48	12	EK01_0003_2	Sliddel rustfri stål / Wear part stainless steel



UNLESS OTHERWISE SPECIFIED:
 DIMENSIONS ARE IN MILLIMETERS
 SURFACE FINISH:
 TOLERANCES:
 LINEAR:
 ANGULAR:

**ØSTBORNHOLMS
KUTTERSERVICE**

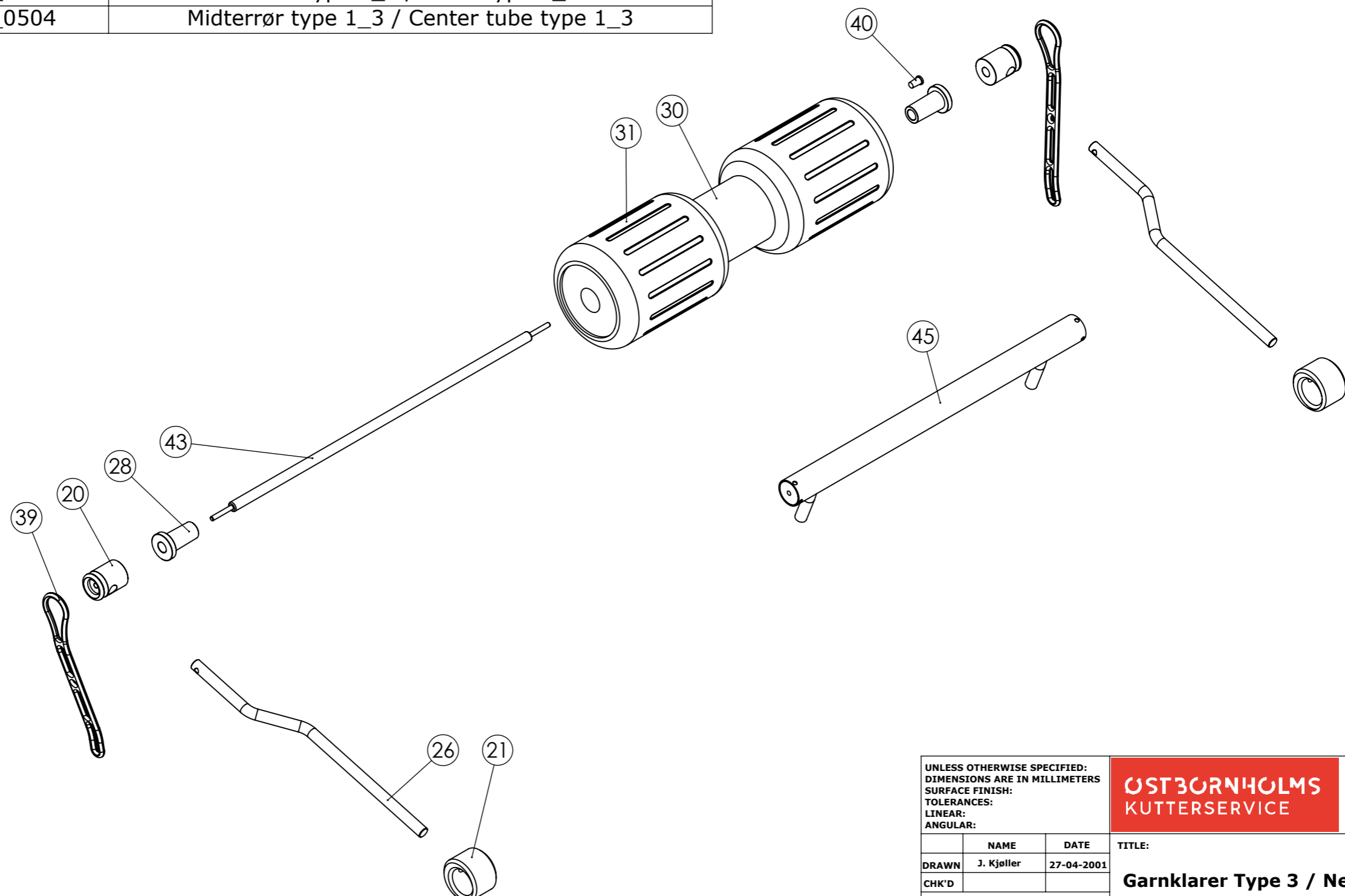
Værftsvej 1
3730 Nexø, Denmark
Phone +45 5649 6582

NAME	DATE	TITLE:
DRAWN J. Kjeller	27-04-2001	Garnklarerer Type 3 / Net clearer Type 3
CHK'D		


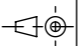
MATERIAL:	SCALE:	DWG NO.
	1:5	EK01_0362_B

PROPRIETARY AND CONFIDENTIAL
 THE INFORMATION CONTAINED IN THIS
 DRAWING IS THE SOLE PROPERTY OF
 ØSTBORNHOLMS KUTTERSERVICE. ANY REPRODUCTION IN
 PART OR AS A WHOLE WITHOUT THE
 WRITTEN PERMISSION OF ØSTBORNHOLMS KUTTERSERVICE
 IS PROHIBITED.

1	2	3	4	5	6	7	8
Pos. nr.	Qty.	Part number	Beskrivelse / Description				
20	2	EK01_0016	Bøsning for gummistrop / Bushing for rubber strap				
21	2	EK01_0505	Excentrik type 1_3 / Eccentric type 1_3				
26	2	EK01_0303	Arm for kugle type 3 / Arm for ball type 3				
28	2	EK01_0512	Glideleje for kugle / Slid bearing for ball				
30	1	EK01_0507	Kugle type 1_3 / Ball type 1_3				
31	2	OT1_3	Gummiovertræk type 1_3 / Rubber cover type 1_3				
39	2	EK01_0511	Gummistrop / Rubber strap				
40	1	EK01_0009	Luftventil / Air Supply Valve				
43	1	EK01_0506	Aksel type 1_3 / Shaft type 1_3				
45	1	EK01_0504	Midterrør type 1_3 / Center tube type 1_3				



PROPRIETARY AND CONFIDENTIAL
 THE INFORMATION CONTAINED IN THIS DRAWING IS THE SOLE PROPERTY OF ØSTBORNHOLMS KUTTERSERVICE. ANY REPRODUCTION IN PART OR AS A WHOLE WITHOUT THE WRITTEN PERMISSION OF ØSTBORNHOLMS KUTTERSERVICE IS PROHIBITED.

<small>UNLESS OTHERWISE SPECIFIED: DIMENSIONS ARE IN MILLIMETERS SURFACE FINISH: TOLERANCES: LINEAR: ANGULAR:</small>				<small>Værftsvej 1 3730 Nexø, Denmark Phone +45 5649 6582</small>	
<small>DRAWN</small> J. Kjøller <small>CHK'D</small> <small>Note:</small>	<small>DATE</small> 27-04-2001	<small>TITLE:</small> Garntklarer Type 3 / Net clearer Type 3			
<small>MATERIAL:</small> 	<small>SCALE:</small> 1:8	<small>DWG NO.</small> EK01_0361_B	<small>A3</small>		
<small>DEBUR AND BREAK SHARP EDGES</small>		<small>Revision nr.:</small> EK01_0361_B	<small>B</small>	<small>Revision date:</small> 13-09-2021	