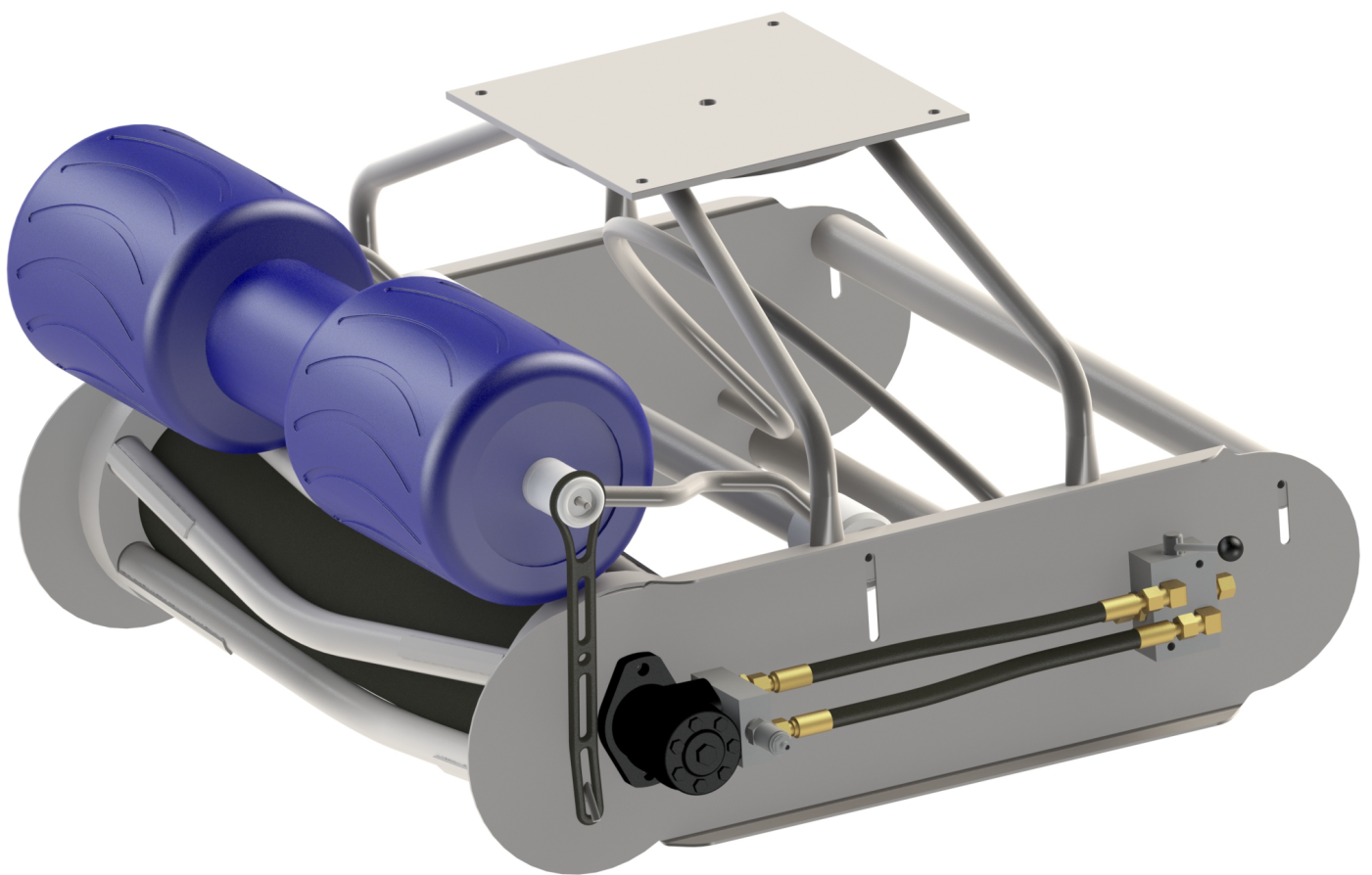
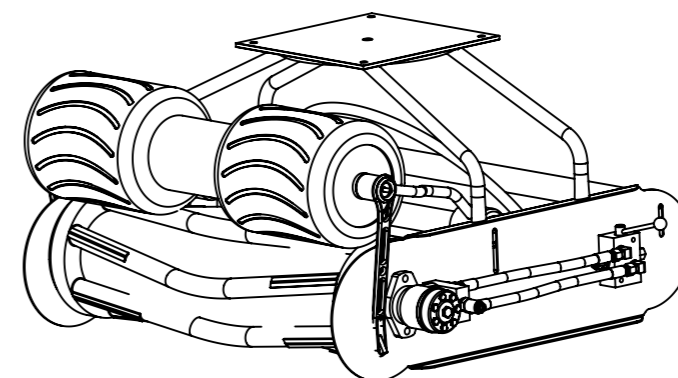
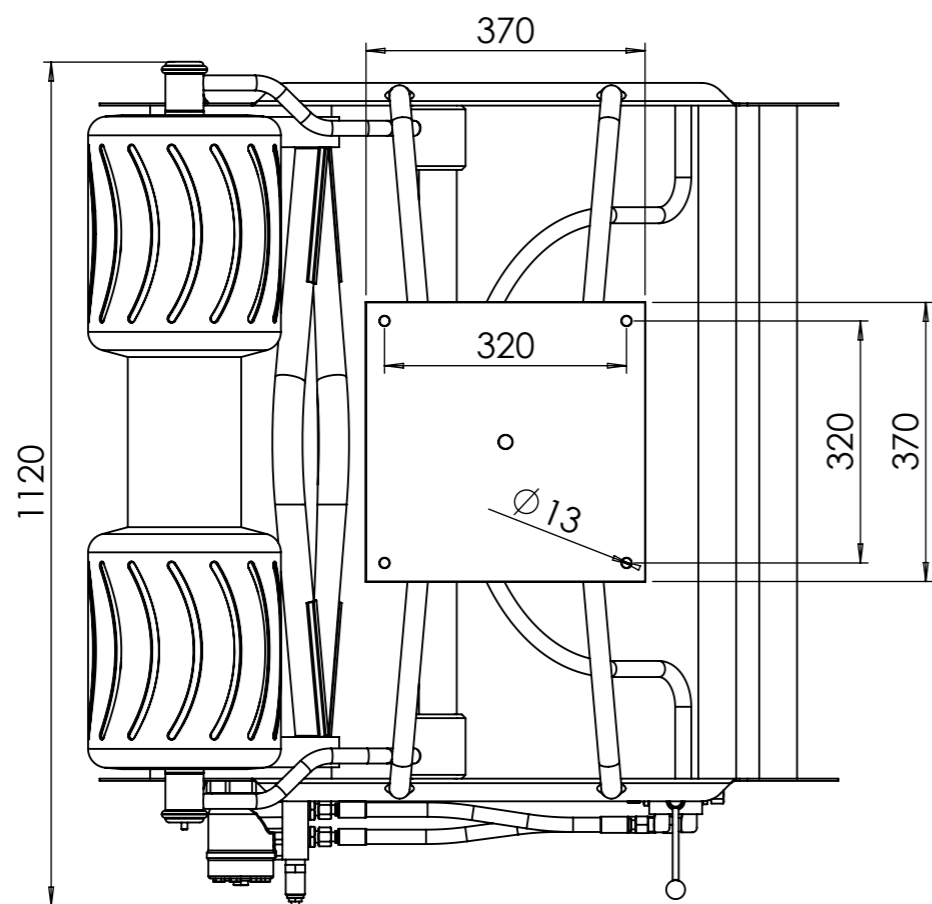
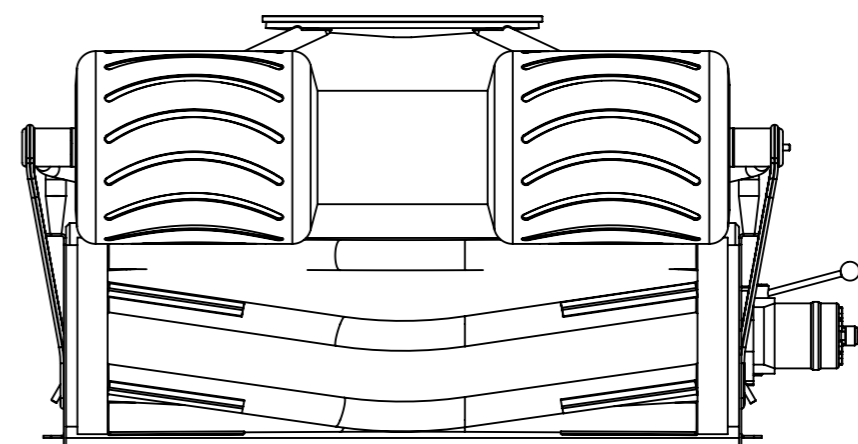
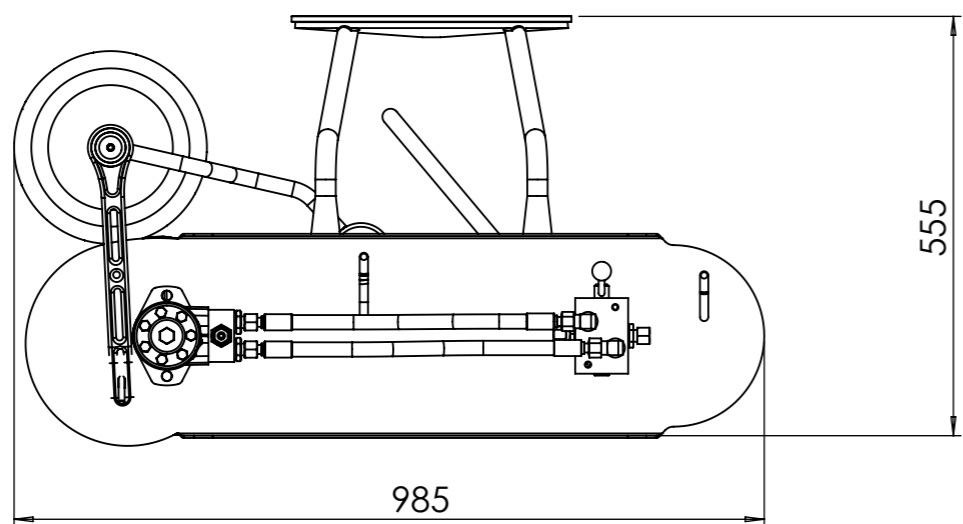


# ØSTBORNHOLMS KUTTERSERVICE

## Garnklarerer / Net clearer TYPE 2





**PROPRIETARY AND CONFIDENTIAL**  
 THE INFORMATION CONTAINED IN THIS  
 DRAWING IS THE SOLE PROPERTY OF  
 ØSTBORNHOLMS KUTTERSERVICE. ANY REPRODUCTION IN  
 PART OR AS A WHOLE WITHOUT THE  
 WRITTEN PERMISSION OF ØSTBORNHOLMS KUTTERSERVICE  
 IS PROHIBITED.

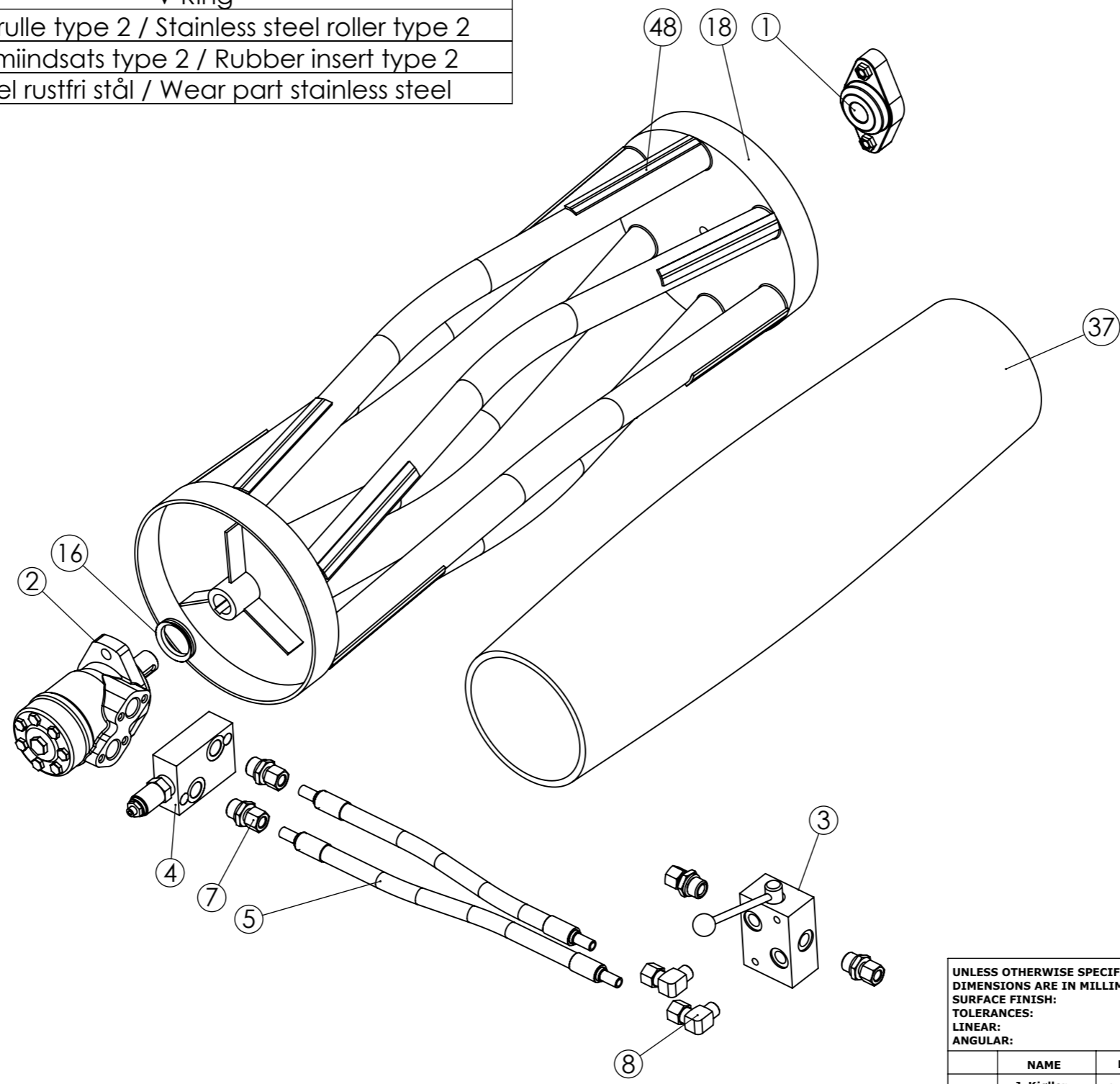
UNLESS OTHERWISE SPECIFIED:  
 DIMENSIONS ARE IN MILLIMETERS  
 SURFACE FINISH:  
 TOLERANCES:  
 LINEAR:  
 ANGULAR:

**ØSTBORNHOLMS  
 KUTTERSERVICE**  
 Værftsvej 1  
 3730 Nexø, Denmark  
 Phone +45 5649 6582

NAME	DATE	TITLE:
DRAWN J. Kjeller	16-03-2001	<b>Garnklarere Type 2 / Net clearer Type 2</b>
CHK'D		
Note:		

MATERIAL:	SCALE:	DWG NO.
	1:10	<b>EK01_0051_B</b>

1	2	3	4	5	6	7	8
Pos. No.	Qty.	Part No.	Beskrivelse / Description				
1	1	Marbett 25x100	Leje / Bearing				
2	1	OMP80_25	Hydraulikmotor / Hydraulic motor				
3	1	HSV	Retningsventil / Directional valve				
4	1	IC_A6A_OMP3	Chok ventil / Dual shock valve				
5	1	Hose set	Hydraulikslanger 500_460 / Hydraulic hoses 500_460				
7	4	GA12LR	Hydraulik forskrunding lige / Hydraulic fitting straight				
8	2	GA12LK	Hydraulik forskrunding vinkel / Hydraulic elbow fitting				
16	1	VA0040	V Ring				
18	1	EK01_0003	Rustfri rulle type 2 / Stainless steel roller type 2				
37	1	EK01_0025	Gummiindsats type 2 / Rubber insert type 2				
48	12	EK01_0003_2	Sliddel rustfri stål / Wear part stainless steel				



UNLESS OTHERWISE SPECIFIED:  
 DIMENSIONS ARE IN MILLIMETERS  
 SURFACE FINISH:  
 TOLERANCES:  
 LINEAR:  
 ANGULAR:

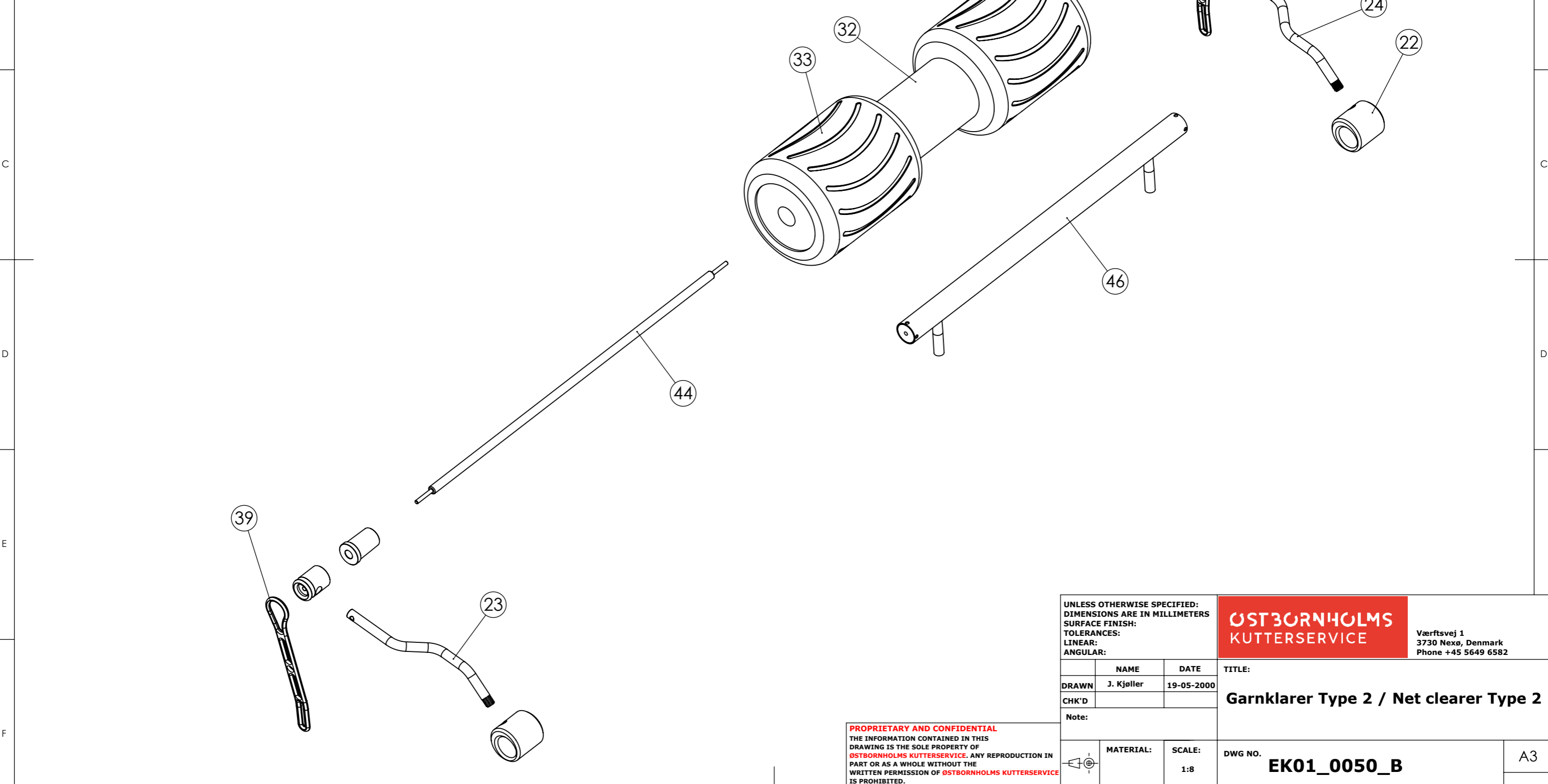
**ØSTBORNHOLMS KUTTERSERVICE**  
 Værftsvej 1  
 3730 Nexø, Denmark  
 Phone +45 5649 6582

NAME	DATE	TITLE:
DRAWN J. Kjeller	19-05-2000	<b>Garnklarer Type 2 / Net clearer Type 2</b>
CHK'D		
Note:		

MATERIAL:	SCALE:	DWG NO.	A3
	1:6	<b>EK01_0052_B</b>	

**PROPRIETARY AND CONFIDENTIAL**  
 THE INFORMATION CONTAINED IN THIS DRAWING IS THE SOLE PROPERTY OF ØSTBORNHOLMS KUTTERSERVICE. ANY REPRODUCTION IN PART OR AS A WHOLE WITHOUT THE WRITTEN PERMISSION OF ØSTBORNHOLMS KUTTERSERVICE IS PROHIBITED.

1	2	3	4	5	6	7	8
Pos. No.	Qty.	Part No.	Beskrivelse / Description				
20	2	EK01_0016	Bøsning for gummistrop / Bushing for rubber strap				
22	2	EK01_0013	Excentrik type 2_4 / Eccentric type 2_4				
23	1	EK01_0015	Venstre arm / Left arm				
24	1	EK01_0014	Højre arm / Right arm				
29	2	EK01_0020	Glideleje for kugle / Slid bearing for ball				
32	1	EK01_0018	Kugle type 2 / Ball type 2				
33	2	OT2	Gummiovertræk type 2 / Rubber cover type 2				
39	2	EK01_0026	Gummistrop / Rubber strap				
40	1	EK01_0009	Luftventil / Air Supply Valve				
44	1	EK01_0017	Aksel type 2 / Shaft type 2				
46	1	EK01_0012	Midterrør type 2 / Center tube type 2				



**PROPRIETARY AND CONFIDENTIAL**  
 THE INFORMATION CONTAINED IN THIS  
 DRAWING IS THE SOLE PROPERTY OF  
 ØSTBORNHOLMS KUTTERSERVICE. ANY REPRODUCTION IN  
 PART OR AS A WHOLE WITHOUT THE  
 WRITTEN PERMISSION OF ØSTBORNHOLMS KUTTERSERVICE  
 IS PROHIBITED.

UNLESS OTHERWISE SPECIFIED: DIMENSIONS ARE IN MILLIMETERS SURFACE FINISH: TOLERANCES: LINEAR: ANGULAR:			
DRAWN J. Kjøller 19-05-2000 CHK'D Note:		TITLE: <b>Garntklarer Type 2 / Net clearer Type 2</b>	
MATERIAL: 		SCALE: 1:8	
DWG NO. <b>EK01_0050_B</b>		A3	
DEBUR AND BREAK SHARP EDGES		Revision nr.:EK01_0050_B B Revision date: 13-09-2021	

Værftsvej 1  
 3730 Nexø, Denmark  
 Phone +45 5649 6582