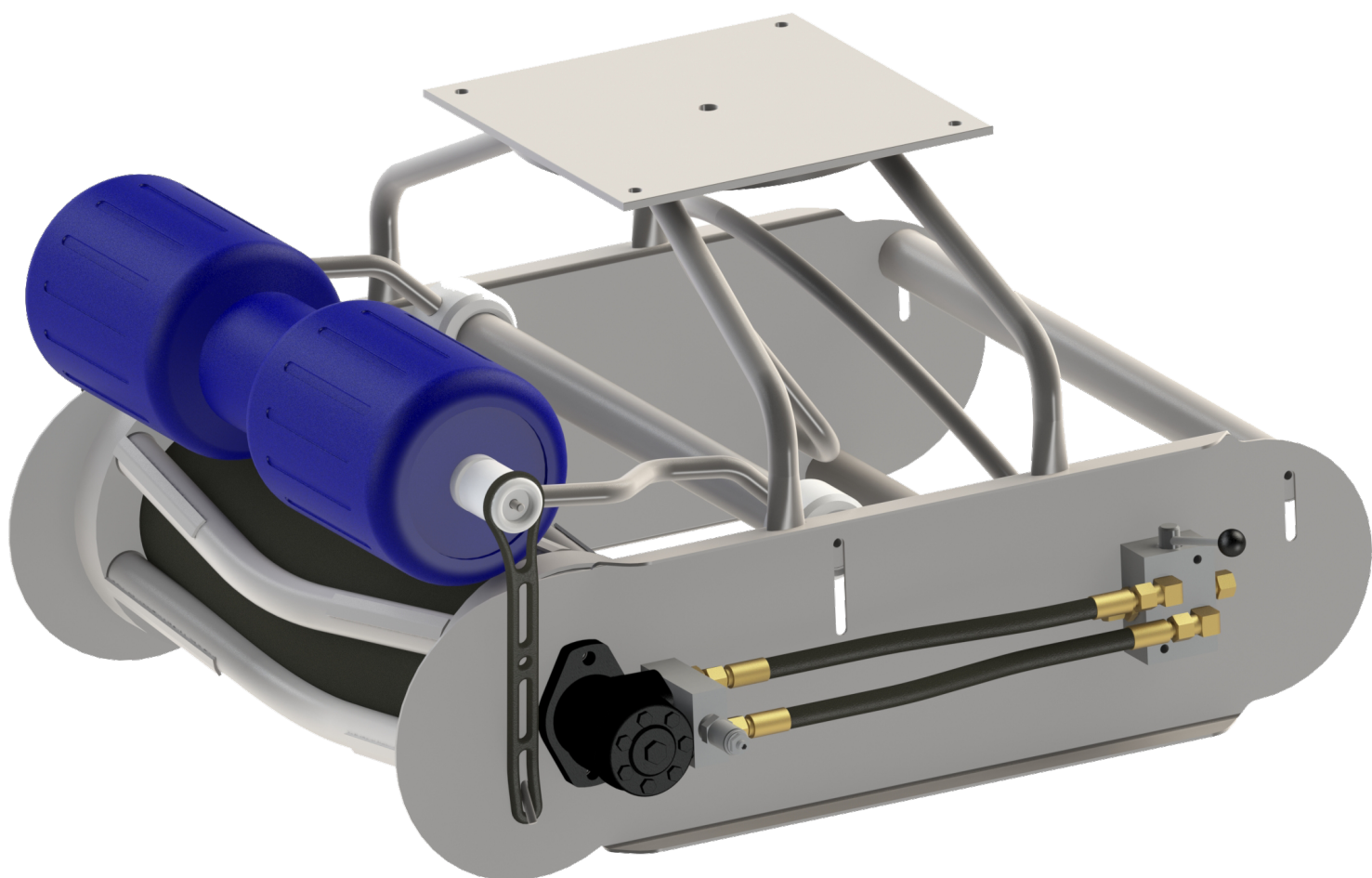
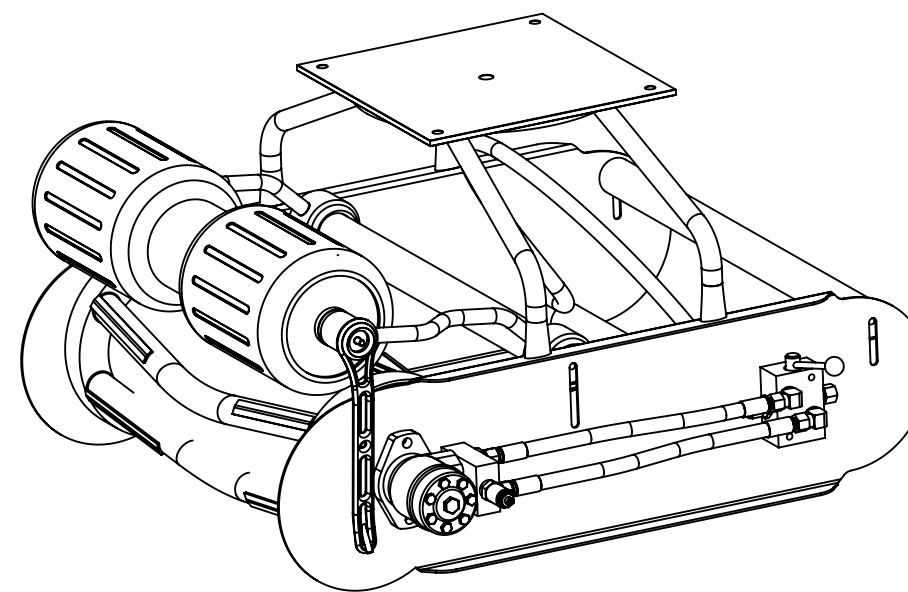
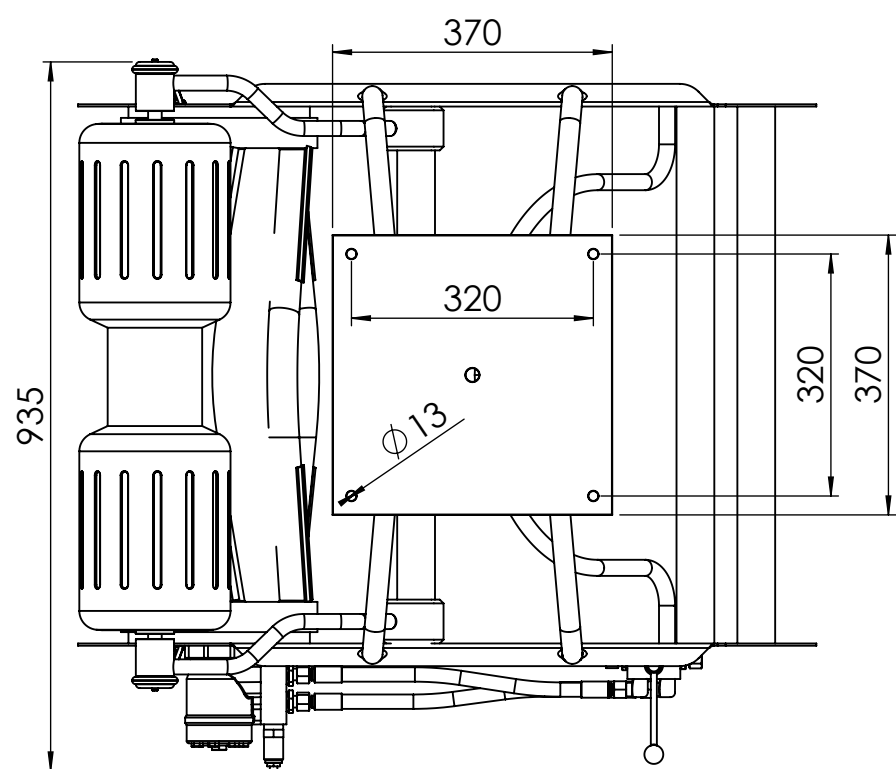
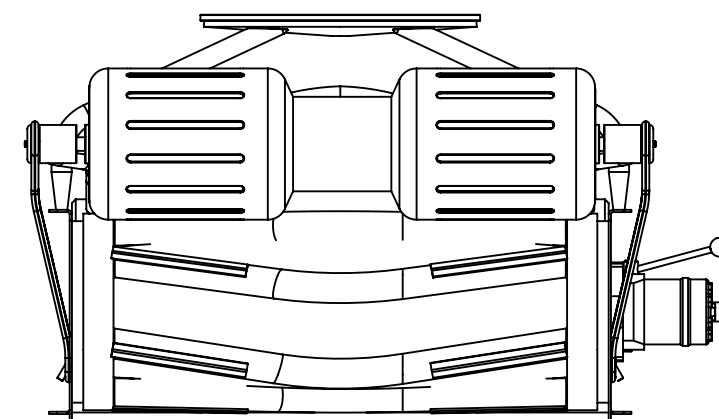
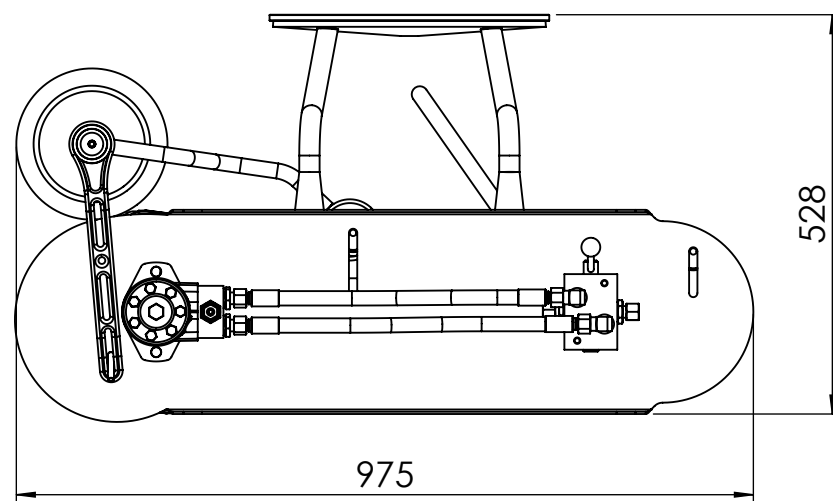


ÖSTBORNHOLMS KUTTERSERVICE

Garnklarar / Net clearer TYPE 1





PROPRIETARY AND CONFIDENTIAL
 THE INFORMATION CONTAINED IN THIS
 DRAWING IS THE SOLE PROPERTY OF
 ØSTBORNHOLMS KUTTERSERVICE. ANY REPRODUCTION IN
 PART OR AS A WHOLE WITHOUT THE
 WRITTEN PERMISSION OF ØSTBORNHOLMS KUTTERSERVICE
 IS PROHIBITED.

UNLESS OTHERWISE SPECIFIED:
 DIMENSIONS ARE IN MILLIMETERS
 SURFACE FINISH:
 TOLERANCES:
 LINEAR:
 ANGULAR:

**ØSTBORNHOLMS
 KUTTERSERVICE**

Værftsvej 1
 3730 Nexø, Denmark
 Phone +45 5649 6582

NAME	DATE	TITLE:
DRAWN J. Kjeller	27-04-2001	Garnklarerer Type 1 / Net clearer Type 1
CHK'D		

Note:

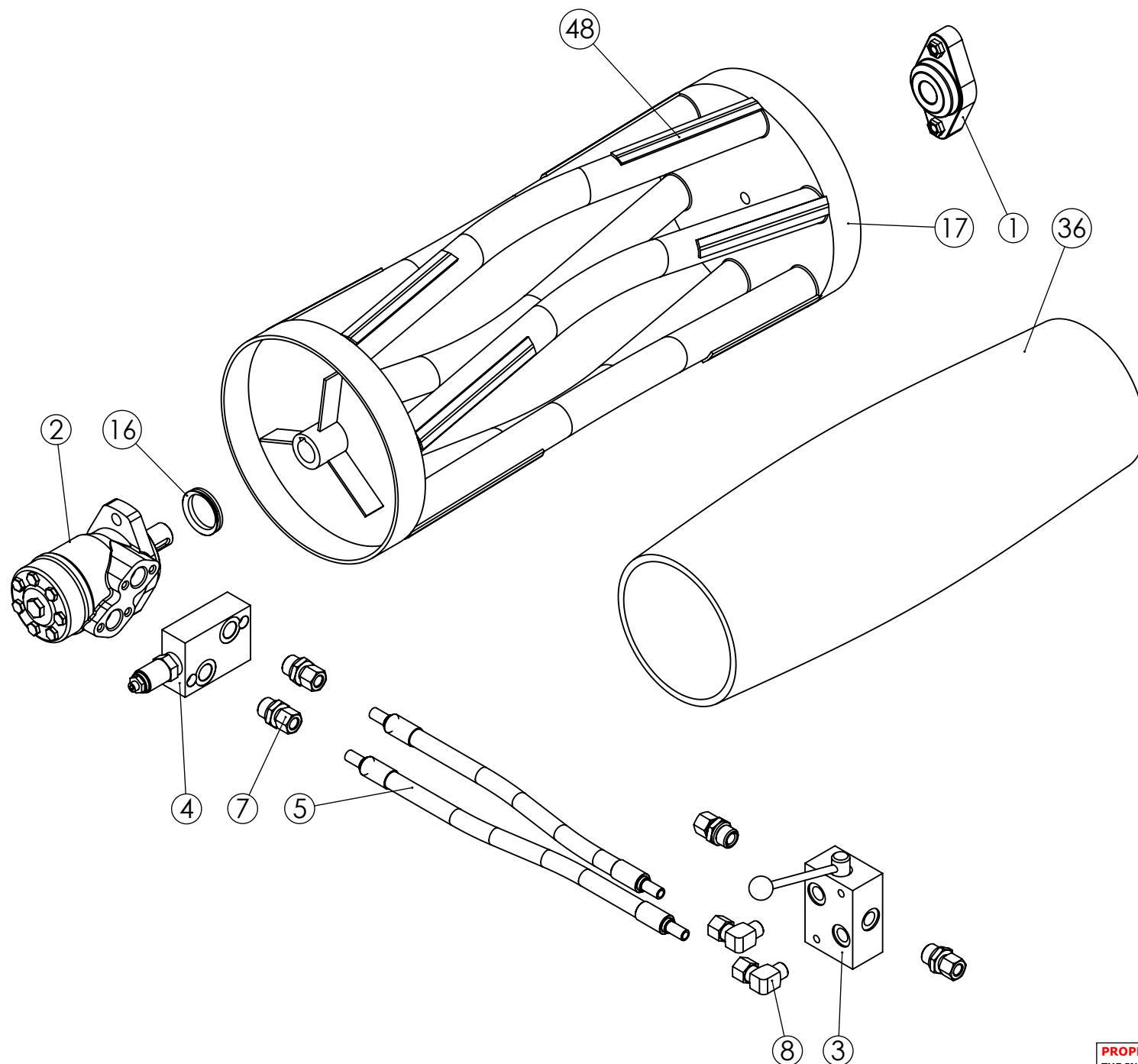
MATERIAL:	SCALE:	DWG NO.
	1:10	EK01_0566_B

DEBUR AND BREAK SHARP EDGES

Revision nr.:EK01_0566_B B Revision date: 13-09-2021

A3

Pbs. No.	Qty.	Part No.	Beskrivelse / Description
1	1	Marbett 25x100	Leje / Bearing
2	1	OMP80_25	Hydraulikmotor / Hydraulic motor
3	1	HSV	Retningsventil / Directional valve
4	1	IC_A6A_OMP3	Chok ventil / Dual shock valve
5	1	Hose set	Hydraulikslanger 500_460 / Hydraulic hoses 500_460
7	4	GA12LR	Hydraulik forskrning lige / Hydraulic fitting straight
8	2	GA12LK	Hydraulik forskrning vinkel / Hydraulic elbow fitting
16	1	VA0040	V Ring
17	1	EK01_0501	Rustfri rulle type 1_3 / Stainless steel roller type 1_3
36	1	EK01_0510	Gummi indsats type 1_3 / Rubber insert type 1_3
48	12	EK01_0501_2	Sliddel rustfri stål / Wear part stainless steel

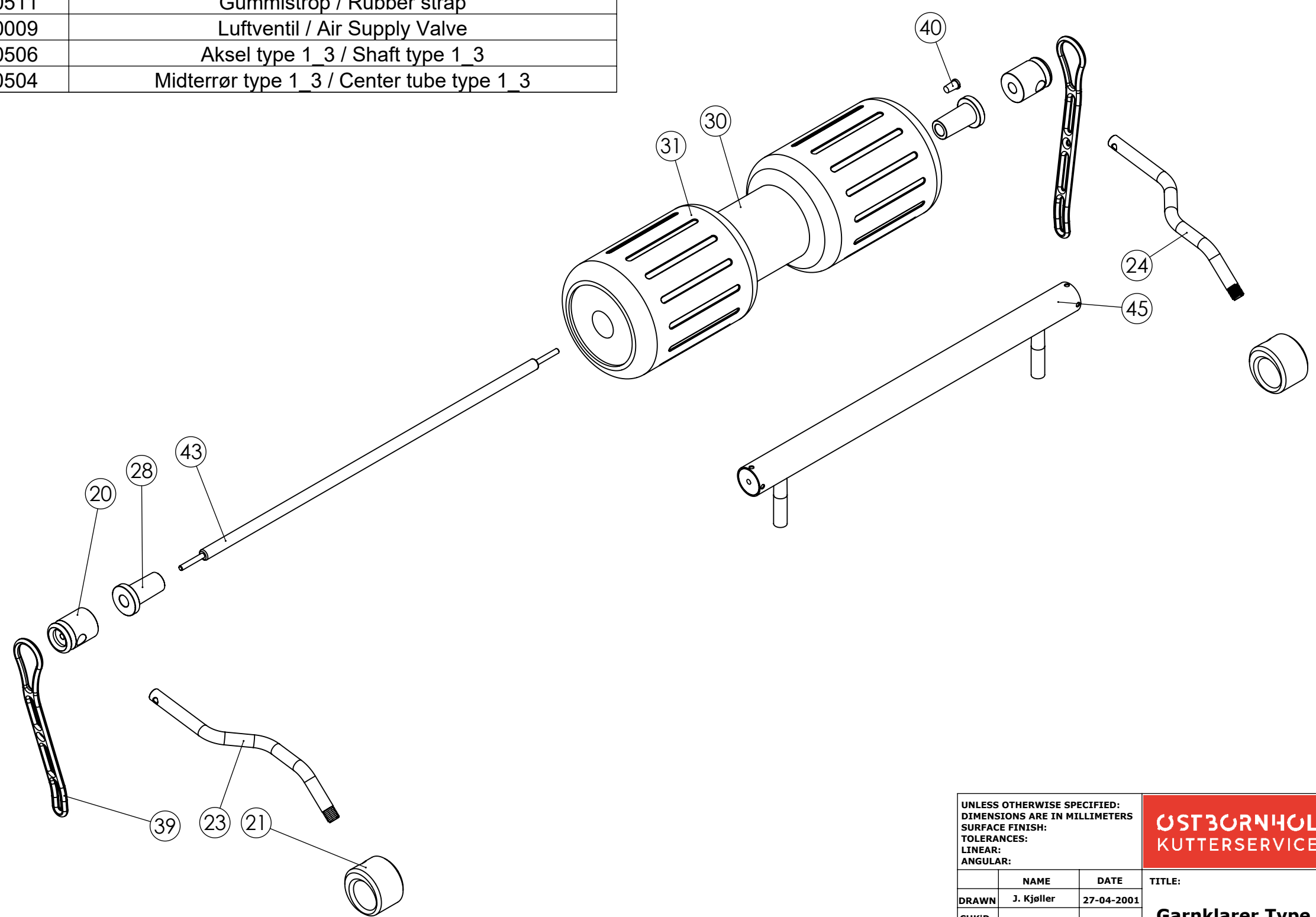


PROPRIETARY AND CONFIDENTIAL
 THE INFORMATION CONTAINED IN THIS
 DRAWING IS THE SOLE PROPERTY OF
 ØSTBORNHOLMS KUTTERSERVICE. ANY REPRODUCTION IN
 PART OR AS A WHOLE WITHOUT THE
 WRITTEN PERMISSION OF ØSTBORNHOLMS KUTTERSERVICE
 IS PROHIBITED.

UNLESS OTHERWISE SPECIFIED: DIMENSIONS ARE IN MILLIMETERS		 Værftsvej 1 3730 Nexø, Denmark Phone +45 5649 6582			
SURFACE FINISH: LINEAR: ANGULAR:					
DRAWN	J. Kjeller	DATE	27-04-2001	TITLE:	Garntlarer Type 1 / Net clearer Type 1
CHK'D		Note:			
MATERIAL:		SCALE:	1:6	DWG NO.	EK01_0567_B
DEBUR AND BREAK SHARP EDGES		Revision nr.:EK01_0567_B		B	Revision date: 13-09-2021

A3

1	2	3	4
Pos. No.	Qty.	Part No.	Beskrivelse / Description
20	2	EK01_0016	Bøsning for gummistrop / Bushing for rubber strap
21	2	EK01_0505	Excentrik type 1_3 / Eccentric type 1_3
23	1	EK01_0015	Venstre arm / Left arm
24	1	EK01_0014	Højre arm / Right arm
28	2	EK01_0512	Glideleje for kugle / Slid bearing for ball
30	1	EK01_0507	Kugle type 1_3 / Ball type 1_3
31	2	OT1_3	Gummiovertræk type 1_3 / Rubber cover type 1_3
39	2	EK01_0511	Gummistrop / Rubber strap
40	1	EK01_0009	Luftventil / Air Supply Valve
43	1	EK01_0506	Aksel type 1_3 / Shaft type 1_3
45	1	EK01_0504	Midterrør type 1_3 / Center tube type 1_3



UNLESS OTHERWISE SPECIFIED:
 DIMENSIONS ARE IN MILLIMETERS
 SURFACE FINISH:
 TOLERANCES:
 LINEAR:
 ANGULAR:

**ØSTBORNHOLMS
KUTTERSERVICE**
 Værftsvej 1
 3730 Nexø, Denmark
 Phone +45 5649 6582

NAME	DATE	TITLE:
DRAWN J. Kjeller	27-04-2001	Garnklarer Type 1 / Net clearer Type 1
CHK'D		

MATERIAL:	SCALE:	DWG NO.
	1:7	EK01_0568_B

Revision nr.:EK01_0568_B		B	Revision date: 13-09-2021
--------------------------	--	---	---------------------------

PROPRIETARY AND CONFIDENTIAL
 THE INFORMATION CONTAINED IN THIS
 DRAWING IS THE SOLE PROPERTY OF
 ØSTBORNHOLMS KUTTERSERVICE. ANY REPRODUCTION IN
 PART OR AS A WHOLE WITHOUT THE
 WRITTEN PERMISSION OF ØSTBORNHOLMS KUTTERSERVICE
 IS PROHIBITED.

DEBUR AND BREAK SHARP EDGES

A3